

46

Netter Conveyor Systems Series *PowerPack*



- Gentle and smooth conveying
- Coarse and fine flow settings
- Instant starting and stopping
- Stainless steel version possible





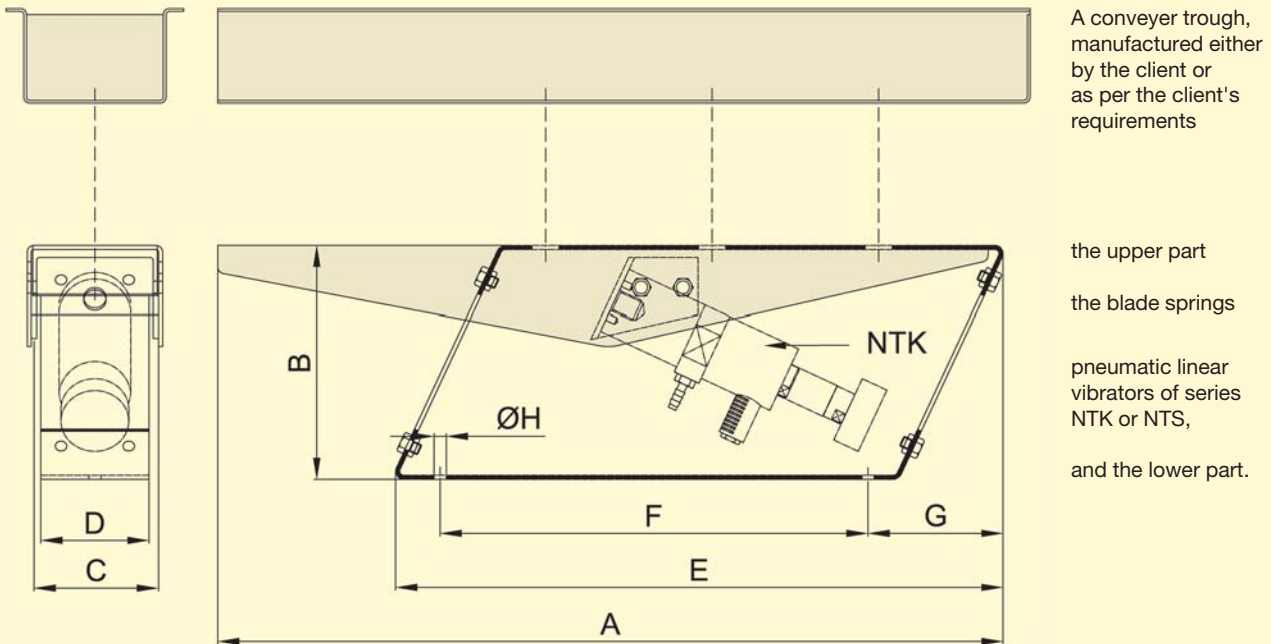
NetterVibration



Netter Conveyor Systems Series *PowerPack*

Type	A [mm]	B [mm]	C [mm]	D [mm]	E [mm]	F [mm]	G [mm]	ØH [mm]	Weight incl. trough [kg]
PowerPack 180	500	ca. 173,5	85	81	342	230	90	9	ca. 3,5
PowerPack 250/350	580	ca. 173,5	100	94	449	321,5	99	9	ca. 6,6

Conveyor systems of the PowerPack series consist of:



A conveyer trough, manufactured either by the client or as per the client's requirements

the upper part

the blade springs

pneumatic linear vibrators of series NTK or NTS,

and the lower part.

Applications

Conveyor systems of the **PowerPack** series serve to convey bulk material efficiently and gently. The stainless steel version allows the operation in the chemical, pharmaceutical and food industries.

Design and functioning principle

The **PowerPack** feeder system works with forced vibrations. The conveyor trough is mounted on blade springs and is driven by a pneumatic linear vibrator of the NTK or NTS series. Depending on the application, it is also possible to use an electric external vibrator of the NEG series. The selection of the vibrator depends not only on the material properties, but also on the requested frequency or amplitude. Unlike many other conveyor systems, the frequency and amplitude of the **PowerPack** series can be controlled separately. It is therefore possible to satisfy many individual requirements.

In addition to the general standard versions, customized versions of the **PowerPack** series are also available. Furthermore, all components can be supplied separately.

Permissible operating conditions:

Drive medium:

Compressed air or nitrogen (Filter 5 µm), preferably with oil mist.

Operating pressure:

2 bar to 6 bar

Ambient temperature:

5°C to 60°C
HT versions up to 200°C

NetterVibration offers the accessories required for the mounting, installation and control of vibrators and interval impactors.

Netter provides solutions.

Consult our experienced application technicians.

Netter GmbH

Germany

Fritz-Ullmann-Str. 9
55252 Mainz-Kastel
Tel. +49 6134 2901-0
Fax +49 6134 2901-33

United Kingdom

2 Sandpiper Close
Station Road
Hednesford, WS12 4RN
Tel. +44 1543 424990
Fax +44 1543 423196

Switzerland

Erlenweg 4
4310 Rheinfelden
Tel. +41 61 8316200
Fax +41 61 8311291

www.**NetterVibration**.com
info@**NetterVibration**.com